



創唯實業有限公司

PLASTRONIC TECHNOLOGY CO.,

TEL: 886-2-2276-3375

www.loadcell.com.tw

FAX: 886-2-2276-3557

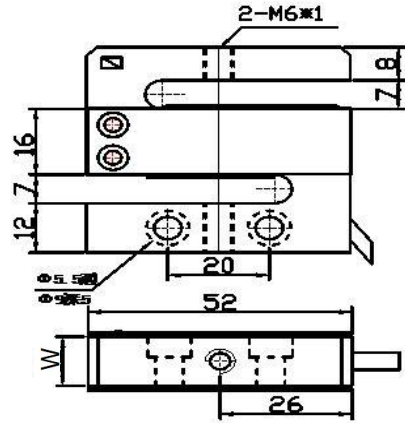
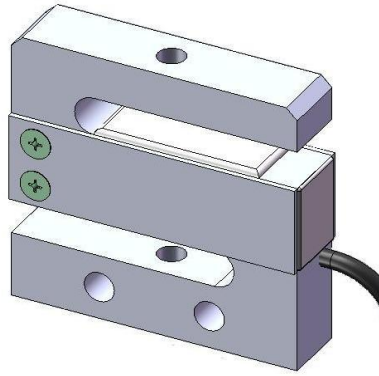
www.plastronic.com.tw

E-mail: plastronictech@gmail.com

新北市24252新莊區化成路398巷13號

No.13, Lane 398, Huacheng Rd., Xinzhuang Dist., New Taipei City 24252, Taiwan

# ST4



CAP(kg)	W
1	9
2/3/5	12

應用：吊秤、工業秤重系統、拉壓力量測

Applications : Hanging Scale, Industrial weighing/control system, Tension/depressing force measurement

## 技術規格 Specification

額定荷重 Rated Capacities	1, 2, 3, 5 (kg)
額定輸出 Rated Output	2.0 mV/V±15%

非線性 Non-linearity	0.03 %F.S
-------------------	-----------

遲滯 Hysteresis	0.03 %F.S
---------------	-----------

重複性 Repeatability	0.03 %F.S
-------------------	-----------

蠕變/回零(20分鐘) 20mins Creep/DR	0.03 %F.S
-----------------------------	-----------

輸出溫度影響 Temperature Effect On Output	0.02 %F.S/10°C
-------------------------------------	----------------

零點溫度影響 Temperature Effect On Zero	0.03 %F.S/10°C
-----------------------------------	----------------

零點平衡 Zero Balance	±0.05 mV/V
-------------------	------------

輸入阻抗 Input Impedance	405±15 Ω
----------------------	----------

輸出阻抗 Output Impedance	350±5 Ω
-----------------------	---------

絕緣阻抗 Insulation Impedance	≥5000 MΩ
---------------------------	----------

安全過載率 Safe Overload	120 %F.S
---------------------	----------

極限過載率 Ultimate Overload	150 %F.S
-------------------------	----------

工作溫度範圍 Operating Temperature Range	-20~60 °C
------------------------------------	-----------

建議工作電壓 Recommended Excitation	5~12 VDC
-------------------------------	----------

最大工作電壓 Maximum Excitation	15 VDC
---------------------------	--------

材質 Construction	鋁合金 Aluminum Alloy
-----------------	--------------------

防水等級 Protection Class	IP66
-----------------------	------

電纜線 Cable	φ3×2 m
-----------	--------

建議台面尺寸 Recommended Platform Size	
----------------------------------	--

接線方式 Mode of Connection

紅：電源+，黑：電源-，綠：信號+，白：信號-  
Red (EXC+) ,Black (EXC-) ,Green (SIG+) ,White (SIG-)